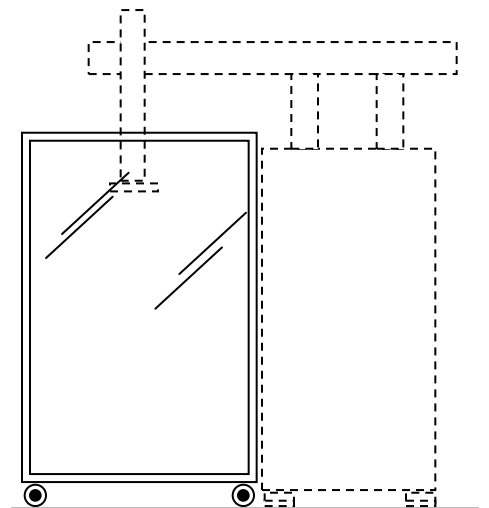
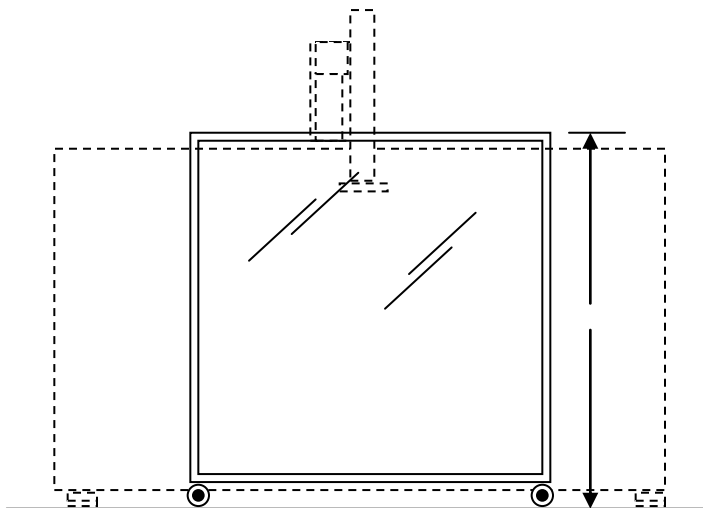
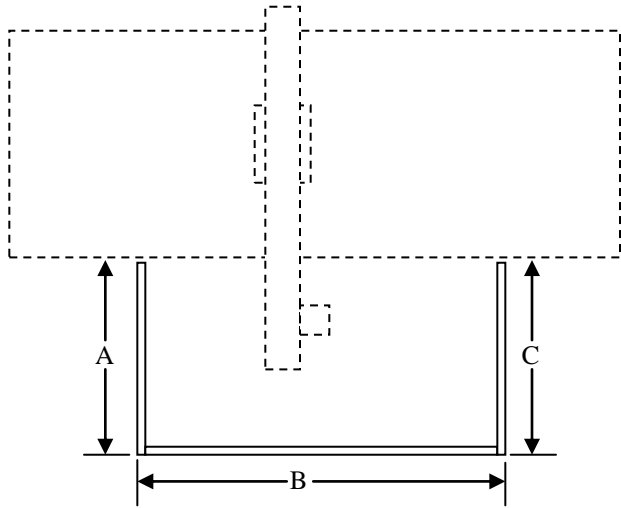


HFA ROBOT GUARD WORKSHEET



SPECIFICATIONS

- DIMENSIONS**... A = _____ B = _____ C = _____ D = _____ (std. = 90")
- WALL MATERIAL**... CLEAR LEXAN _____ AMBER ACRYLIC _____ YELLOW MESH _____
- ACCESS DOOR**... SIZE = _____ LOCATION _____ SAFETY INTERLOCK _____
- QTY. OF SIDES**... 3-SIDED _____ 4-SIDED _____
- OPENINGS IN WALL FOR CONVEYOR(S)**... SIZE = _____ LOCATION (describe) _____
- MISC**... CASTERS (std.) _____ or PADS _____
- CONVEYOR (if needed)**... LENGTH _____ WIDTH _____ HEIGHT _____ (OPTIONS) _____